

Broadband Coaxial Isolators

Part Number: KTBI301A-10

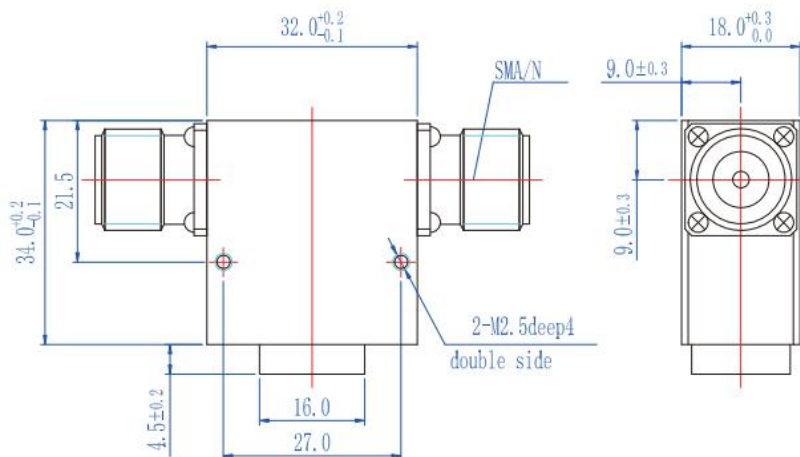
Key Features

- Broad Frequency Range: 2GHz-4GHz, Bandwidth up to Full
- High Isolation, Low Insertion Loss
- High Power Handling
- Wide Operating Temperature: -30°C~+70°C
- Commercial, Military and Space Applications

Electrical Specifications at Room (25°C±5°C) Temperature

Part Number	Working Frequency (GHz)	Insertion Loss Max. (dB)	Isolation Min. (dB)	VSWR Max.	Reverse Power (W)	Connector Type
KTBI301A-10	2 - 4	0.6	18	1.40	10	SMA/N

Mechanical Dimensions (mm)



HOW TO ORDER

